



# PARTS CATALOG

Published

2011/8 (Aug.)

---

0CD11-G13900

# P R E F A C E

1. This parts catalog is the 1st edition of L100V6-PEMA2 for MATSUSAKA ENGINEERING CO.,LTD.

Pub.No. : OCD11-G13900  
Published : January, 2011

2. Model name

Engine model	Vehicle	Vehicle made by
L100V6-PEMA2	FRESH WATER PUMP	MATSUSAKA ENGINEERING CO.,LTD

## Directions for the Parts Catalog.

- The parts stipulated in this Parts Catalog are not necessarily standard equipped parts.
- Parts may change without prior notice.
- The following is an example of the Parts Catalog format.

REF.	LEV.	PARTS NO.	DESCRIPTION	Q'TY						I	R
				(A)	(B)	(C)	(D)	(E)	(F)		
1	1	729595-51390	FUEL INJECTION PUMP	1	1	1	1	1			1
1-1	1	729595-51391	FUEL INJECTION PUMP	1	1	1	1	1		N	1
		(A=E00185) (B=E00200)									
3	2	26022-060162	SCREW M 6X 16	9	9	9	9	9			
3-1	2	26022-060162	SCREW M 6X 16	4	4	4	4	4		K	
		(A=E00156) (B=E00156) (C=E00156) (D=E00156) (E=E00156)									
4	2	129470-51040	CAMSHAFT	1	1	1	1	1			
5	2	122710-51050	BEARING, ROLLER	2	2	2	2	2			
6	2	129470-51060	RETAINER	1	1	1	1	1			

Remarks
(1) BOOST COMPEMSATOR TYPE. OPTIONAL PART, TO E00155,(4JH-DT, 4JH-DTZ

### ① Ref. No.

The Ref. No. listed may not be in accordance with the illustration Ref. No.

(Ex.) Illustration No.

List Ref No.

1

1

(Before change)

1-1

(After change)

For interchangeable symbols N, R and K, illustrations for new parts may be abbreviated.

### ② Lev. (Level)

Level indication

The numbers below indicate the level of relativity towards the main part.

1 ----- Main parts (Assembly parts)

2 ----- Sub component included in " 1 ".

3 ----- Sub component included in " 2 ".

Note) Parts that are not for sale are partially illustrated but not listed.

### ③ Interchangeability Mark

When a part change takes place, one of the following interchangeability symbols is indicated beside the part.

Symbol	Interchangeability	Contents note
N	Old $\begin{matrix} \leftarrow \text{Yes} \\ \text{No} \rightarrow \end{matrix}$ New	New Part is interchangeable for Old Part but Old Part is not interchangeable for New Part.
Q	Old $\begin{matrix} \leftarrow \text{No} \\ \text{Yes} \rightarrow \end{matrix}$ New	New Part is not interchangeable for Old Part but Old Part is interchangeable for New Part.
R	Old $\begin{matrix} \leftarrow \text{Yes} \\ \text{Yes} \rightarrow \end{matrix}$ New	New/ Old Parts are both interchangeable.
S	Old $\begin{matrix} \leftarrow \text{No} \\ \text{No} \rightarrow \end{matrix}$ New	New/ Old Parts are both not interchangeable.
W		Part newly added.
Z		Part discontinued.
F		Not interchangeable by a single part but interchangeable together with related parts.
K		Changes only for used parts quantities.

### ④ Effective Machine No.

When a part changes, the effective Machine No. will be indicated in the (A)-(F) column.

Product Symbol	Product No.	Product Symbol	Product No.
C	Clutch No. Compressor No.	F	Machine No. (Agricultural Equip.)
D	Drive No.	M	Machine No.
E	Engine No.		

Note 1) A date may follow the symbol. (Ex.) 1996.01

Note 2) "XXXXX" and "ZZZZZ" are for parts that could not be predicted or for engine models that could not be identified.

Note 3) (A=E00185) is the E (Engine Serial Number) for the column (A) model (in this case 4JH-DT) after the parts design change.

### ⑤ Remarks Mark

Figures or alphabets (symbols) are entered in the remarks column.

The comments (remarks) on parts that are indicated at the bottom of the illustration are the same symbols as those stated above.

# CONTENTS

MODEL : L100V6-PEMA2

PC NO : 0CD11-G13900

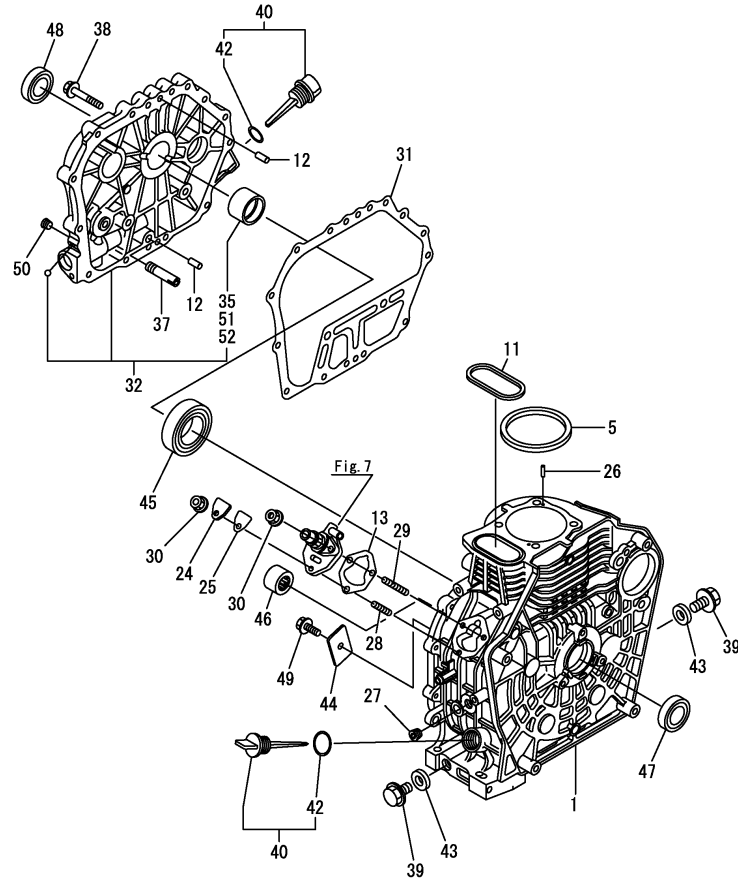
Fig.No. GROUP NAME

L100V6-PEMA2

1. CYLINDER BLOCK
2. CYLINDER HEAD & BONNET
3. AIR CLEANER & MUFFLER
4. CRANKSHAFT, PISTON & CAMSHAFT
5. LUB.OIL PUMP & GOVERNOR
6. COOLING & STARTING DEVICE
7. F.I.PUMP & F.I.VALVE
8. FUEL TANK & FUEL PIPE
9. STARTING MOTOR & DYNAMO
10. TOOL,LABEL & GASKET SET

Fig.No. GROUP NAME

Fig.1. CYLINDER BLOCK



OCD11-G13900 1. CYLINDER BLOCK

(A)=L100V6-PEMA2

(B)=

(C)=

(D)=

(E)=

(F)=

REF.	LEV.	PARTS NO.	DESCRIPTION	Q'TY						I	R
				(A)	(B)	(C)	(D)	(E)	(F)		
1	1	11431C-01010	BLOCK ASSY, CYLINDER	1							
5	1	114695-01331	GASKET ASSY,CYL.HEAD	1							
11	1	114699-01380	O-RING	1							
12	1	114299-01600	PIN, 8X12	2							
13	1	114299-01800	SHIM SET	1							
24	1	114299-01830	COVER,(FO PUMP	1							
25	1	114250-01841	GASKET, COVER	1							
26	1	22312-040080	PARALLEL PIN, M4X8	2							
27	1	23875-020000	PLUG PT1/4,STEEL	1							
28	1	26226-060182	STUD M 6X 18 PLATED	1							
29	1	26226-060222	STUD M 6X 22 PLATED	2							
30	1	26366-060002	NUT M 6	3							
31	1	114699-01410	GASKET, CRANK CASE	1							
32	1	114310-01450	COVER(D, CRANK CASE	1							
35	2	114650-02100	BEARING, MAIN	1							1
37	1	114299-35150	PIPE, L.O. INLET	1							
38	1	26106-080352	BOLT M 8X 35 PLATED	16							
39	1	114299-01690	PLUG M16	2							
40	1	114699-01760	CAP ASSY, LO SUPPLY	2							
42	2	114299-01950	O-RING	2							
43	1	22190-160002	WASHER, 16	2							
44	1	114299-02030	RETAINER, BEARING	1							
45	1	114650-02150	BALL BEARING	1							
46	1	24162-152220	NEEDLE, 152220	1							
47	1	24423-355008	SEAL, OIL	1							
48	1	24423-355008	SEAL, OIL	1							
49	1	26106-080122	BOLT M 8X 12 PLATED	1							
50	1	23876-010000	PLUG PT1/8,SCREW	1							
51	1	114650-02200	MAIN BEARING US=0.25	1							2
52	1	114650-02210	MAIN BEARING US=0.50	1							3

Remarks

(1)Spare parts.

(2)Under sized(U.S.=0.25)parts

(3)Under sized(U.S.=0.50)parts.

Fig.2. CYLINDER HEAD & BONNET

(A)=L100V6-PEMA2

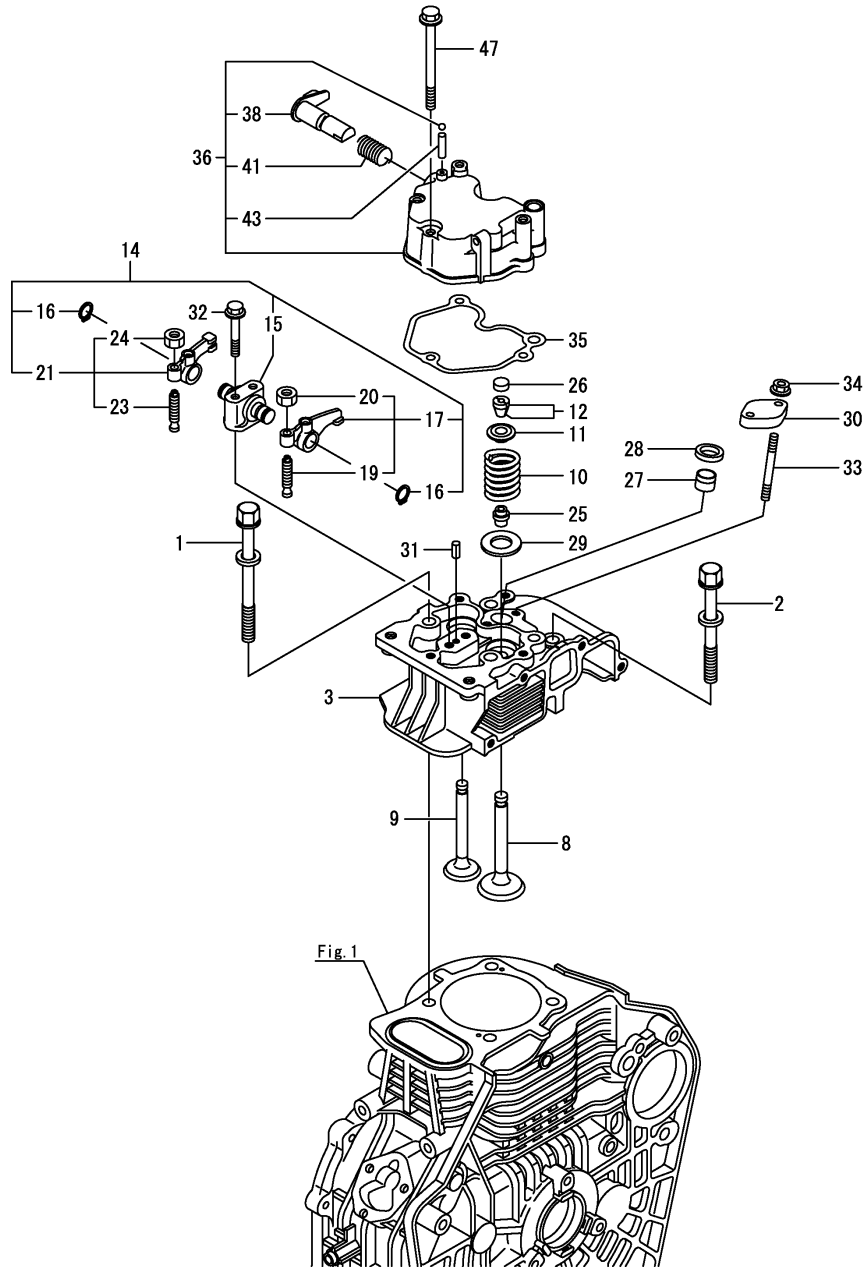
(B)=

(C)=

(D)=

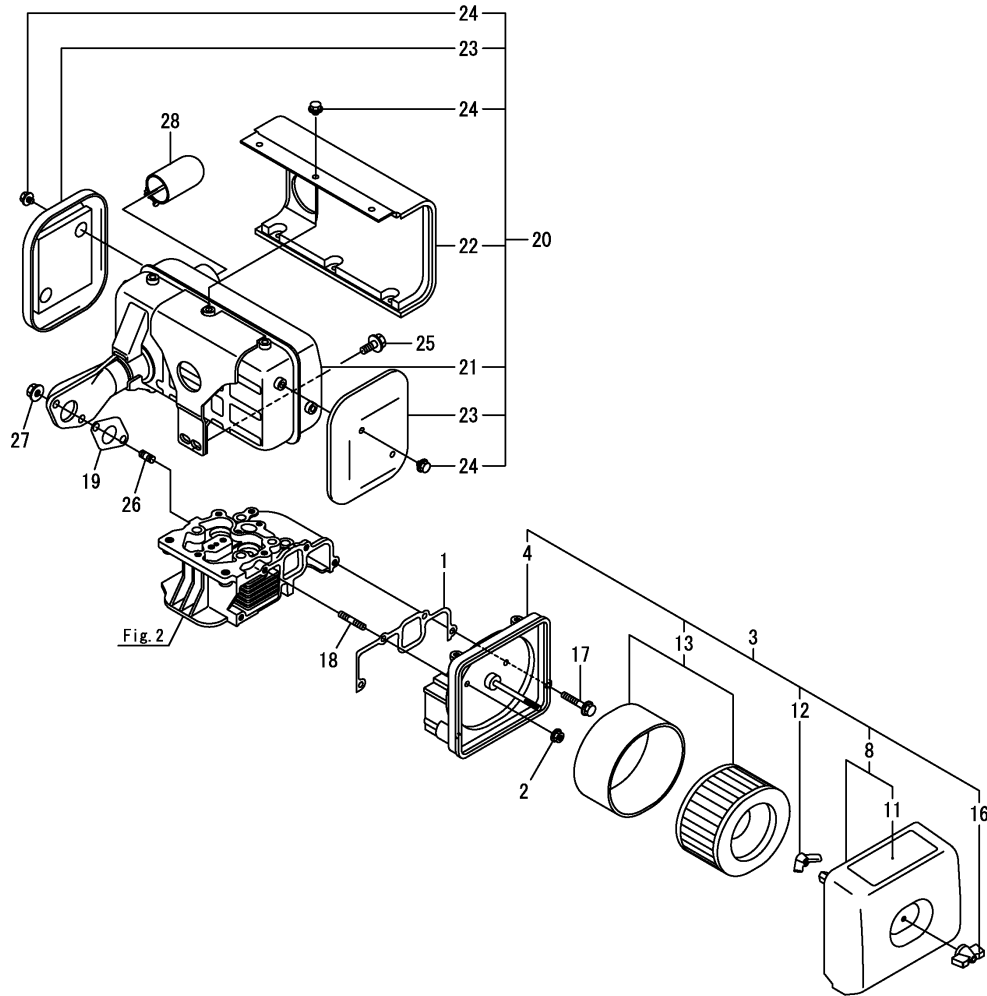
(E)=

(F)=



REF.	LEV.	PARTS NO.	DESCRIPTION	QTY						I	R
				(A)	(B)	(C)	(D)	(E)	(F)		
1	1	114310-01200	BOLT, CYL.HEAD A	2							
2	1	114310-01210	BOLT, CYL.HEAD B	2							
3	1	114310-11050	HEAD ASSY, CYLINDER	1							
8	1	11431C-11100	VALVE, INTAKE	1							
9	1	11431C-11110	VALVE, EXHAUST	1							
10	1	114310-11120	SPRING, VALVE	2							
11	1	114310-11180	RETAINER, SPRING	2							
12	1	114310-11930	COTTER ASSY	2							
14	1	11431C-11250	SUPPORT ASSY, ROCKER	1							
15	2	11431C-11260	SUPPORT, ROCKER ARM	1							
16	2	22242-000150	CIRCLIP 15	2							
17	2	11431C-11650	ARM ASSY, INTAKE	1							
19	3	114250-11240	SCREW, VALVE ADJUST.	1							
20	3	26856-060002	NUT, M6	1							
21	2	11431C-11660	ARM ASSY, EXHAUST	1							
23	3	114250-11240	SCREW, VALVE ADJUST.	1							
24	3	26856-060002	NUT, M6	1							
25	1	114650-11340	SEAL, VALVE STEM	2							
26	1	104211-11370	CAP, VALVE	2							
27	1	114240-11450	PROTECTOR, NOZZLE	1							
28	1	114240-11550	SEAT, NOZZLE	1							
29	1	114699-11600	WASHER	2							
30	1	114210-11901	RETAINER, NOZZLE	1							
31	1	22351-040008	SPRING PIN 4X 8	1							
32	1	114310-11290	BOLT, SUPPORT	2							
33	1	26226-060552	STUD M6X 55 PLATED	2							
34	1	26366-060002	NUT M 6	2							
35	1	114310-11310	GASKET, BONNET	1							
36	1	114310-11950	BONNET ASSY, HEAD	1							
38	2	114210-03590	DECOMPRESSION ASSY	1							
41	2	114299-03640	SPRING, DECOMP.	1							
43	2	22312-030160	PARALLEL PIN, M3X16	1							
47	1	26106-060652	BOLT M 6X 65 PLATED	3							

Fig.3. AIR CLEANER & MUFFLER



OCD11-G13900 3. AIR CLEANER & MUFFLER

(A)=L100V6-PEMA2

(B)=

(C)=

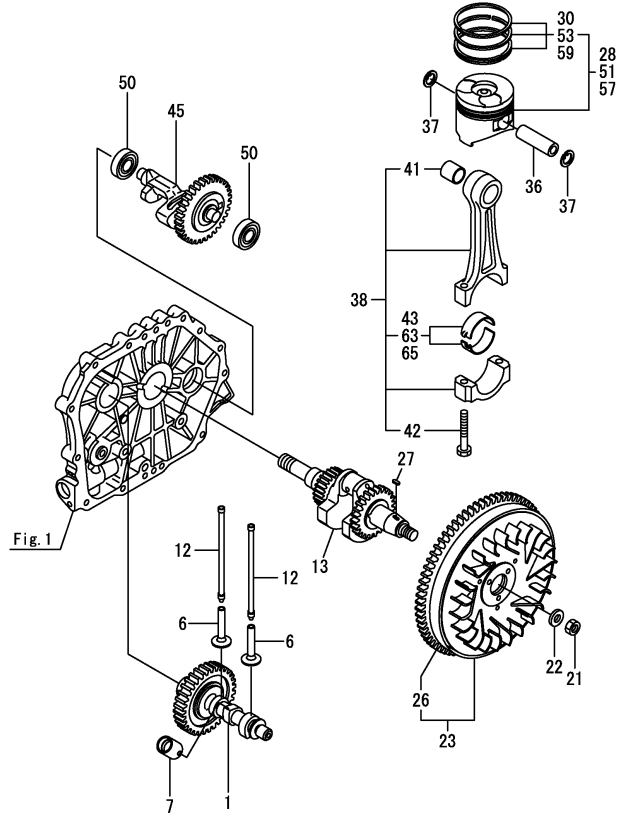
(D)=

(E)=

(F)=

REF.	LEV.	PARTS NO.	DESCRIPTION	QTY						I	R
				(A)	(B)	(C)	(D)	(E)	(F)		
1	1	114310-12210	GASKET, AIR CLEANER	1							
2	1	114299-12300	U-NUT	3							
3	1	114310-12511	CLEANER ASSY, AIR	1							
4	2	114310-12010	BODY ASSY, AIR CLNR	1							
8	2	114210-12500	COVER ASSY, AIR CLNR	1							
11	3	114210-12610	LABEL, AIR CLEANER	1							
12	2	114210-12560	NUT, WING	1							
13	2	114210-12590	ELEMENT ASSY	1							
16	2	114210-12600	LOCKING KNOB	1							
17	1	26106-060402	BOLT M 6X 40 PLATED	1							
18	1	26226-060352	STUD M 6X 35 PLATED	3							
19	1	114310-13200	GASKET, MUFFLER	1							
20	1	11431C-13550	MUFFLER ASSY	1							
21	2	11431C-13560	MUFFLER	1							
22	2	11431C-13700	COVER, MUFFLER A	1							
23	2	11431C-13710	COVER, MUFFLER B	2							
24	2	11431C-13720	BOLT, M6X6 FLANGE	10							
25	1	26106-080202	BOLT M 8X 20 PLATED	2							
26	1	26216-080182	STUD M 8X 18 PLATED	2							
27	1	26366-080002	NUT M 8	2							
28	1	114699-13800	EXTENSION, EXH.	1							

Fig.4. CRANKSHAFT, PISTON & CAMSHAFT



OCD11-G13900 4. CRANKSHAFT, PISTON & CAMSHAFT

(A)=L100V6-PEMA2

(B)=

(C)=

(D)=

(E)=

(F)=

REF.	LEV.	PARTS NO.	DESCRIPTION	QTY						I	R
				(A)	(B)	(C)	(D)	(E)	(F)		
1	1	714320-14580	CAMSHAFT ASSY	1							
6	1	114310-14200	TAPPET	2							
7	1	114210-14300	TAPPET ASSY, ROLLER	1							
12	1	114310-14400	ROD ASSY, PUSH	2							
13	1	11431C-21850	CRANKSHAFT ASSY,E-DP	1							
21	1	114699-21220	NUT	1							
22	1	114699-21550	WASHER, FLYWHEEL	1							
23	1	114699-21600	FLYWHEEL ASSY, DE	1							
26	2	114699-21630	RING, GEAR	1							
27	1	22512-050140	KEY, 5X14	1							
28	1	714310-22720	PISTON W/RINGS (D)	1							
30	2	714310-22500	RING SET, PISTON	1							
36	1	114699-22300	PIN, PISTON	1							
37	1	114310-22500	SEEGER RING, J23	2							
38	1	71431C-23010	ROD ASSY, CONNECTING	1							
41	2	124060-23100	BUSH, PISTON PIN	1							
42	2	119810-23200	BOLT, CONNECTING ROD	2							
43	2	714650-23600	BEARING, CRANKPIN	1							
45	1	714310-28510	SHAFT ASSY, BALANCER	1							
50	1	24101-063040	BALL BEARING	2							
51	1	714310-22620	PISTON W/RING OS=.25	1							1
53	2	714310-22540	RING SET O.S.=0.25	1							1
57	1	714310-22580	PISTON W/RING OS=0.5	1							2
59	2	714310-22550	RING SET O.S.=0.50	1							2
63	1	714650-23610	BEARING,PIN(U.S.=0.25	1							3
65	1	714650-23620	BEARING,PIN(U.S.=0.50	1							4

Remarks

- (1)Over size (O.S.=0.25) parts.
- (2)Over size (O.S.=0.50) parts.
- (3)Under size (U.S.=0.25) parts.
- (4)Under size (U.S.=0.50) parts.



Fig.5. LUB.OIL PUMP & GOVERNOR

(A)=L100V6-PEMA2

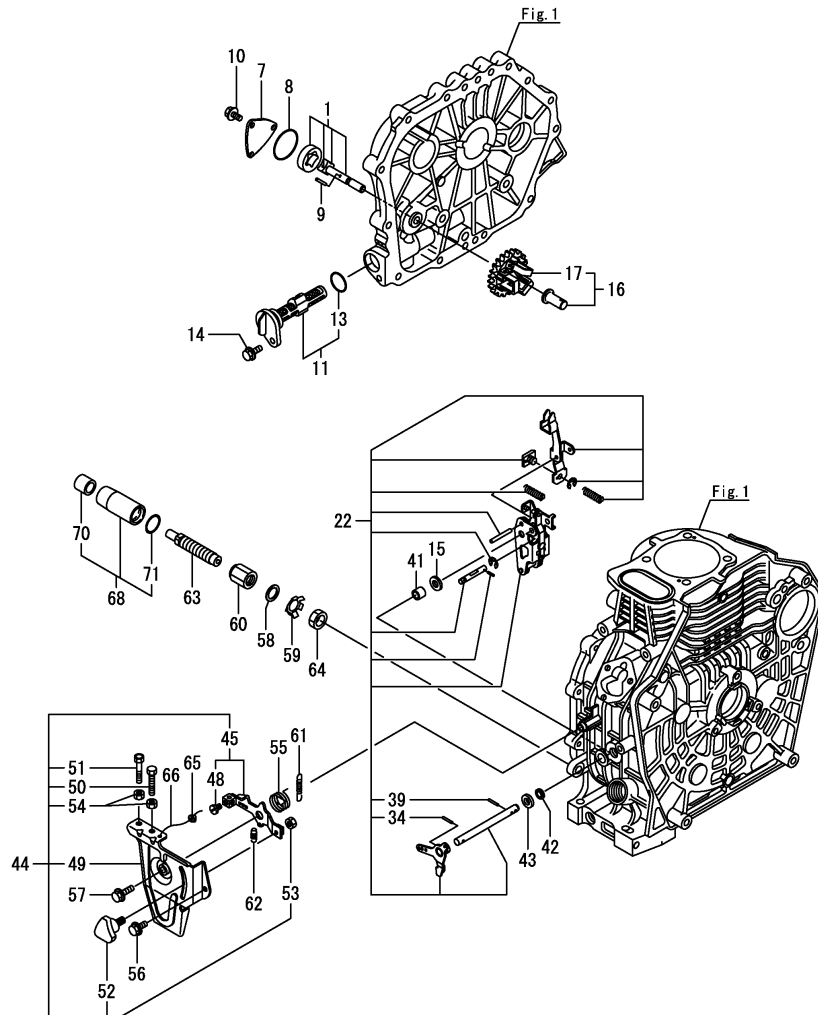
(B)=

(C)=

(D)=

(E)=

(F)=

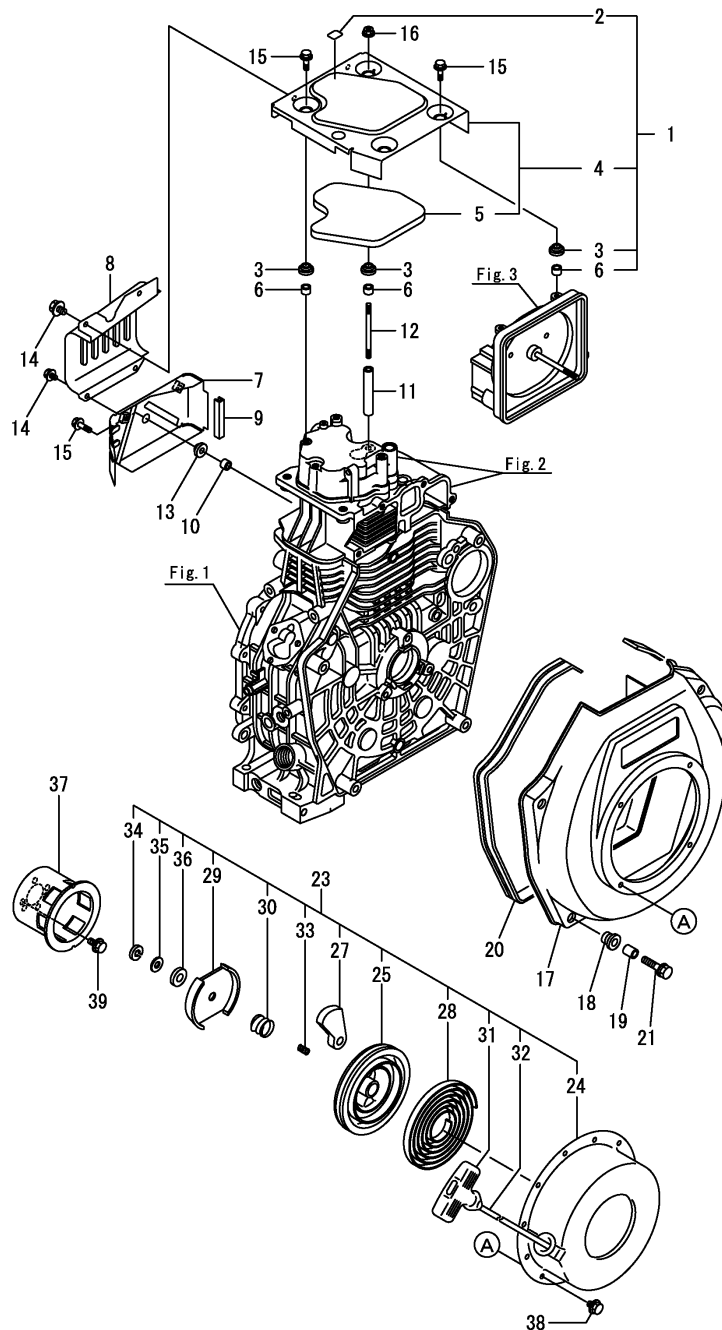


REF.	LEV.	PARTS NO.	DESCRIPTION	QTY						I	R
				(A)	(B)	(C)	(D)	(E)	(F)		
1	1	114650-32010	PUMP ASSY, LUB.OIL	1							
7	1	114299-32070	COVER, LUB. OIL PUMP	1							
8	1	114299-32570	O-RING, COVER	1							
9	1	22312-030160	PARALLEL PIN, M3X16	1							
10	1	26106-060122	BOLT M 6X 12 PLATED	3							
11	1	114299-35110	FILTER CMP, LUB.OIL	1							
13	2	24341-000224	O-RING 1A S-22.4	1							
14	1	26106-060162	BOLT M 6X 16 PLATED	1							
15	1	114299-61190	WASHER, GOVERNOR	1							
16	1	714210-61701	GOVERNOR ASSY	1							
17	2	114210-61290	WEIGHT ASSY,GOVERNOR	1							
22	1	114310-61500	LEVER ASSY, GOVERNOR	1							1
34	3	22322-030200	TAPER PIN, 3X20	1							
39	2	22322-030200	TAPER PIN, 3X20	1							
41	1	114770-61520	BEARING,NEEDLE	2							
42	1	114299-61600	SEAL, OIL	1							
43	1	114770-61610	WASHER, THRUST	1							
44	1	714210-66100	SPEED CTRL, THAI	1							
45	2	114210-66060	HANDLE ASY,REGULATOR	1							
48	3	26117-050089	BOLT, M5X8	1							
49	2	114210-66100	BRACKET, REGULATOR	1							
50	2	114299-66440	BOLT, ADJUSTING	1							
51	2	114299-67080	BOLT, ADJUSTING	1							
52	2	160725-78350	KNOB, M6X15	1							
53	2	26347-060002	U-NUT M 6	1							
54	2	26757-060002	NUT M 6	2							
55	1	114299-66250	SPRING, RETURN	1							
56	1	26106-060142	BOLT M 6X 14 PLATED	1							
57	1	26106-060202	BOLT M 6X 20 PLATED	1							
58	1	114295-61810	WASHER, PLAIN 14	1							
59	1	114771-61830	PLATE	1							
60	1	114295-61940	NUT	1							
61	1	114310-66010	SPRING, REGULATOR	1							
62	1	114299-66200	SPRING, RETURN	1							
63	1	114771-66600	LIMITER ASSY, FUEL	1							
64	1	114295-66690	NUT, M14X1.25	1							
65	1	114780-61090	TIN	1							
66	1	22451-060000	WIRE, 0.6	1							
68	1	114295-61990	PROTECTOR CMP	1							
70	2	114295-61960	SPACER	1							
71	2	24311-000180	O-RING 1A P-18.0	1							

Remarks

(1)On a guarantee of quality component parts shall not be sold.

Fig.6. COOLING & STARTING DEVICE



(A)=L100V6-PEMA2

(B)=

(C)=

(D)=

(E)=

(F)=

REF.	LEV.	PARTS NO.	DESCRIPTION	QTY						I	R
				(A)	(B)	(C)	(D)	(E)	(F)		
1	1	11431C-45200	TOP COVER, ASSY	1							
2	2	114210-07200	LABEL, DECOMPRESSION	1							
3	2	183720-55210	GROMMET	4							
4	2	11431C-45300	COVER, TOP(BLACK)(13)	1							
5	3	11431C-45310	DAMPER	1							
6	2	114350-45340	COLLAR	4							
7	1	11431C-45260	COVER B, SIDE (13)	1							
8	1	11431C-45270	COVER A, SIDE (13)	1							
9	1	114399-45320	RUBBER, SEAL	1							
10	1	114399-45340	COLLAR, CYL.COVER	1							
11	1	114310-45350	SPACER, TOP COVER	1							
12	1	114310-45360	STUD BOLT, TOP COVER	1							
13	1	114299-45220	GROMMET, TANK	1							
14	1	26106-060082	BOLT M 6X 8 PLATED	4							
15	1	26106-060202	BOLT M 6X 20 PLATED	4							
16	1	26366-060002	NUT M 6	1							
17	1	11431C-45100	FAN CASE (GRAY)(2K)	1							
18	1	114299-45301	RUBBER, CUSHION	4							
19	1	114299-45310	COLLAR, FAN CASE	4							
20	1	114699-45331	SEAL, FAN CASE	1							
21	1	114299-45350	BOLT, FAN CASE	4							
23	1	114699-76251	RECOIL ASSY	1							
24	2	114699-76510	CASE, STARTER	1							
25	2	114699-76521	REEL, RECOIL	1							
27	2	114699-76531	RATCHET	2							
28	2	114399-76540	SPRING, SPIRAL	1							
29	2	114699-76551	GUIDE, RATCHET	1							
30	2	114699-76560	SPRING, FRICTION	1							
31	2	114399-76620	KNOB, STARTER	1							
32	2	114699-76630	ROPE, STARTER	1							
33	2	114699-76650	SPRING, RETURN	1							
34	2	114699-76660	RETAINING RING	1							
35	2	114699-76670	WASHER	1							
36	2	114699-76680	WASHER IN NYLON	1							
37	1	114699-76592	PULLEY, STARTER	1							
38	1	26106-060082	BOLT M 6X 8 PLATED	4							
39	1	26106-060122	BOLT M 6X 12 PLATED	3							

Fig.7. F.I.PUMP & F.I.VALVE

(A)=L100V6-PEMA2

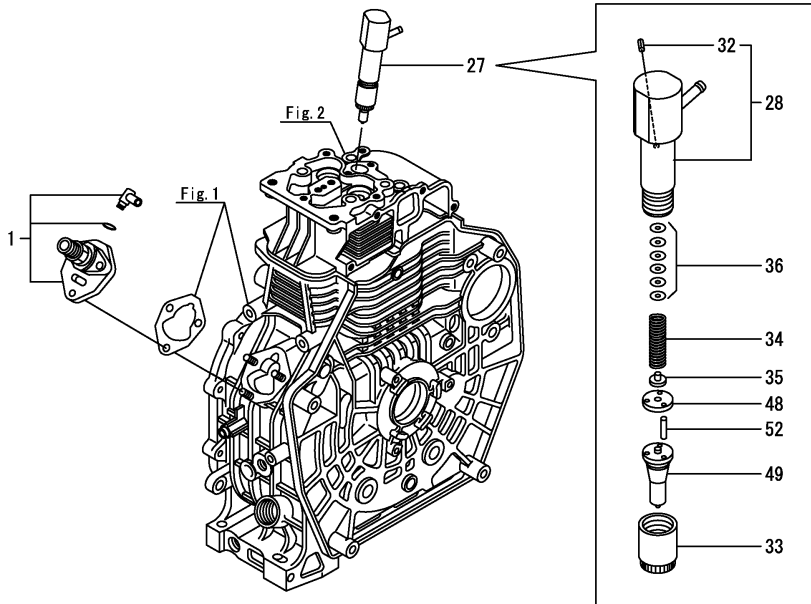
(B)=

(C)=

(D)=

(E)=

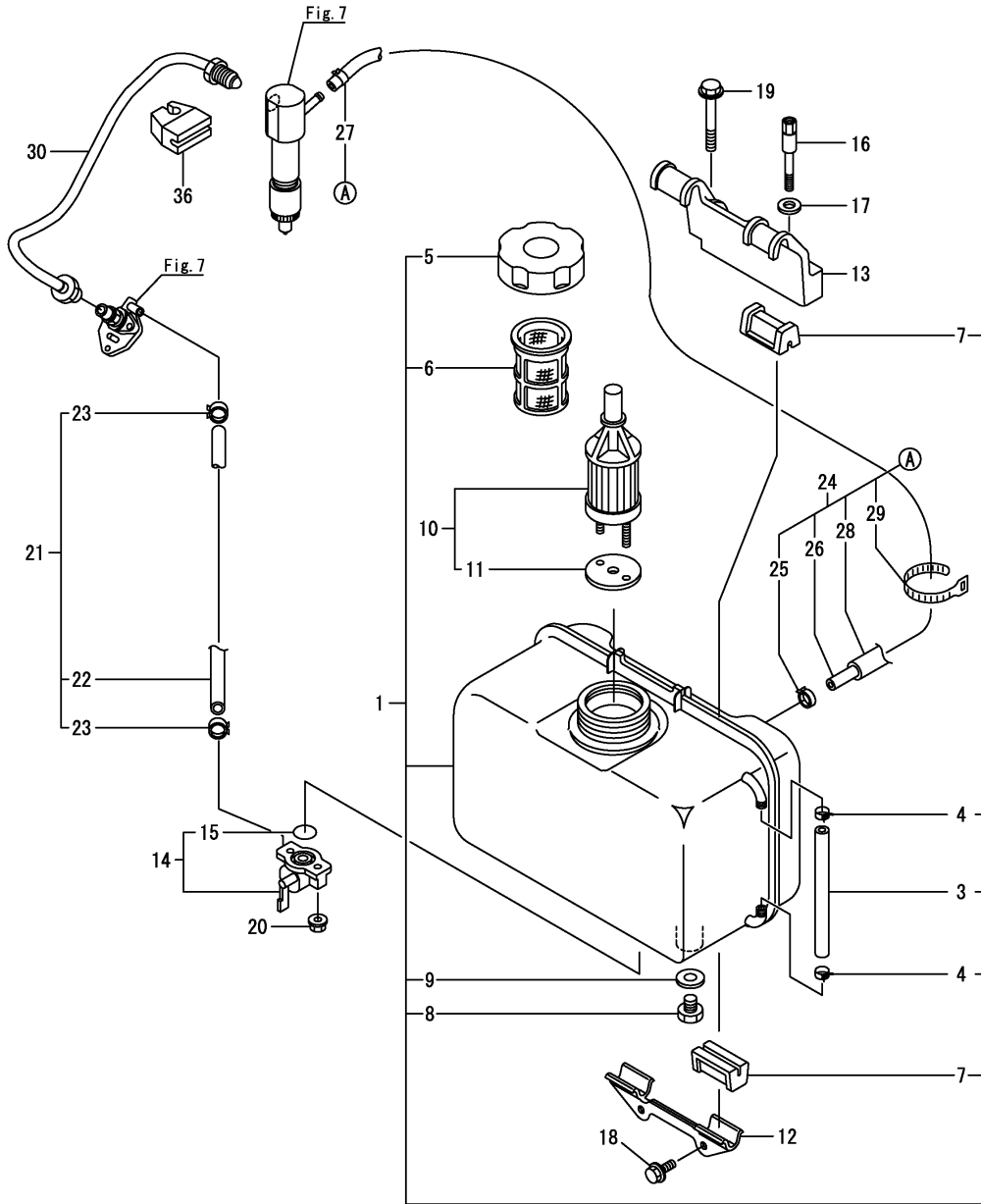
(F)=



REF.	LEV.	PARTS NO.	DESCRIPTION	Q'TY						I	R
				(A)	(B)	(C)	(D)	(E)	(F)		
1	1	714349-51400	F.I.PUMP ASSY	1							1
27	1	714349-53100	FUEL INJECTOR	1							
28	2	114339-53100	HOLDER ASSY, NOZZLE	1							
32	3	22351-025005	SPRING PIN 2.5AX 6	1							
33	2	114250-53080	NUT, CASE	1							
34	2	114250-53120	SPRING, NOZZLE	1							
35	2	114250-53130	SEAT, SPRING	1							
36	2	114250-53400	SHIM SET	1							
48	2	114250-53140	PLATE, STOP	1							
49	2	114349-53000	NOZZLE ASSY	1							
52	2	114250-53210	PIN	2							

Remarks  
 (1)On a guarantee of quality component parts shall not be sold.

Fig.8. FUEL TANK & FUEL PIPE



OCD11-G13900 8. FUEL TANK & FUEL PIPE

(A)=L100V6-PEMA2

(B)=

(C)=

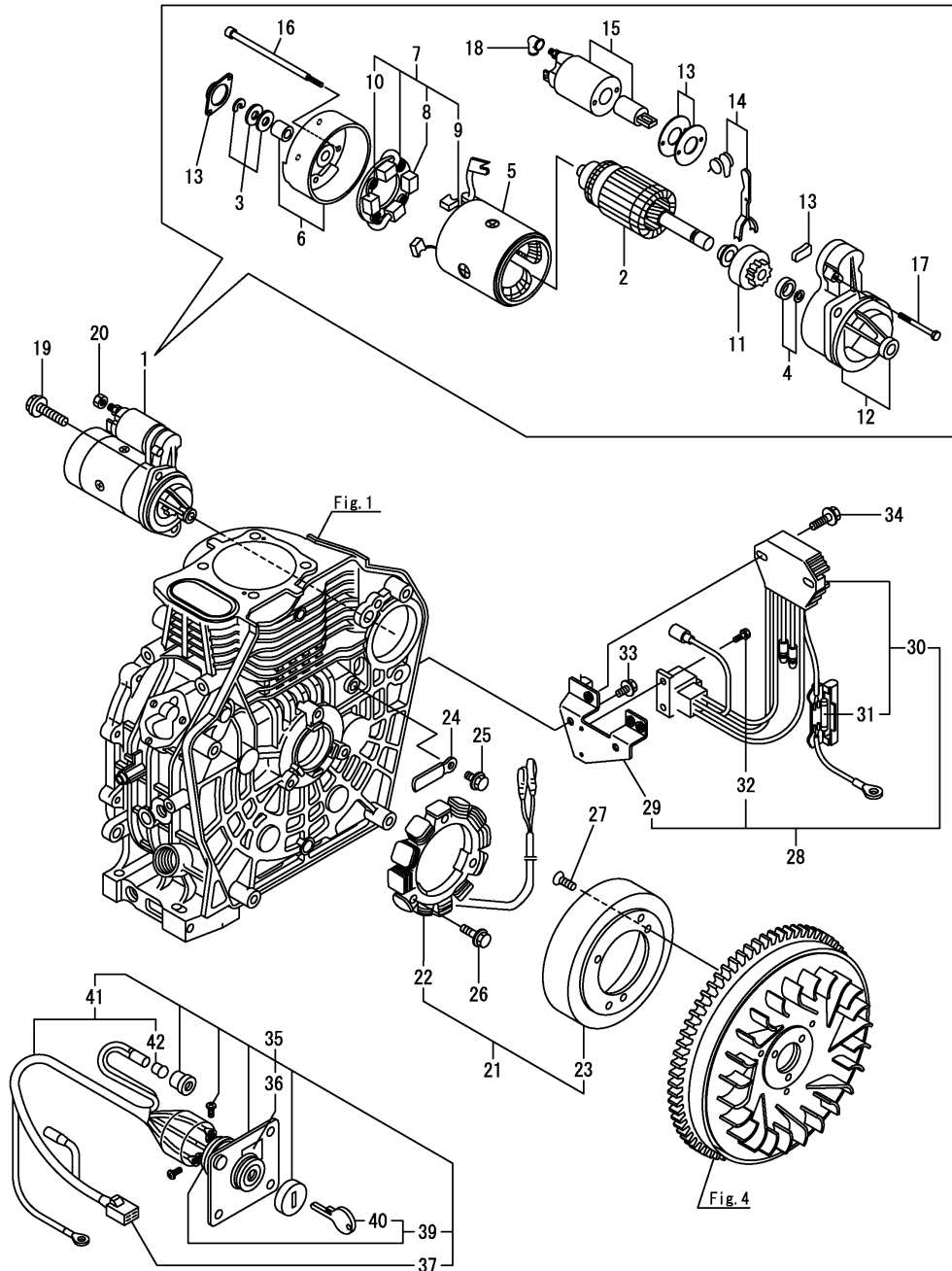
(D)=

(E)=

(F)=

REF.	LEV.	PARTS NO.	DESCRIPTION	QTY						I	R
				(A)	(B)	(C)	(D)	(E)	(F)		
1	1	11431C-55730	TANK ASSY, FUEL OIL	1							
3	2	114339-55150	PIPE, GAUGE	1							
4	2	23080-007000	HOSE CLAMP 7	2							
5	2	114299-55040	CAP ASSY, FUEL TANK	1							
6	2	114299-55100	FILTER, FUEL OIL	1							
7	2	114250-55201	DAMPER, FUEL TANK	4							
8	2	114299-55080	PLUG, DRAIN	1							
9	2	23414-080000	GASKET 8, ROUND	1							
10	1	114250-55121	FILTER ASSY, FUEL	1							
11	2	114250-55130	GASKET	1							
12	1	114210-55210	STAY A, FUEL TANK	1							
13	1	114310-55230	STAY B, FUEL TANK	1							
14	1	114240-55300	COCK ASSY, FUEL OIL	1							
15	2	24311-000125	O-RING 1A P-12.5	1							
16	1	114210-55810	BOLT, LIFTING	1							
17	1	22117-080000	WASHER 8	1							
18	1	26106-060162	BOLT M 6X 16 PLATED	2							
19	1	26106-080452	BOLT M 8X 45 PLATED	1							
20	1	26366-060002	NUT M 6	2							
21	1	114780-59010	PIPE ASSY, FUEL OIL	1							
22	2	114780-59060	PIPE, FUEL OIL	1							
23	2	23080-014000	CLAMP 14	2							
24	1	114339-59300	PIPE ASSY, RETURN	1							
25	2	124722-59050	CLIP, HOSE	1							
26	2	114310-59060	PIPE, FUEL RETURN	1							
27	2	124066-59100	CLIP, HOSE	1							
28	2	114310-59310	HOSE, PROTECT	1							
29	2	121750-59890	CLAMP 140	1							
30	1	114310-59800	PIPE ASSY, INJECTION	1							
36	1	114699-59850	SUPPORT, PIPE	1							

Fig.9. STARTING MOTOR & DYNAMO



(A)=L100V6-PEMA2

(B)=

(C)=

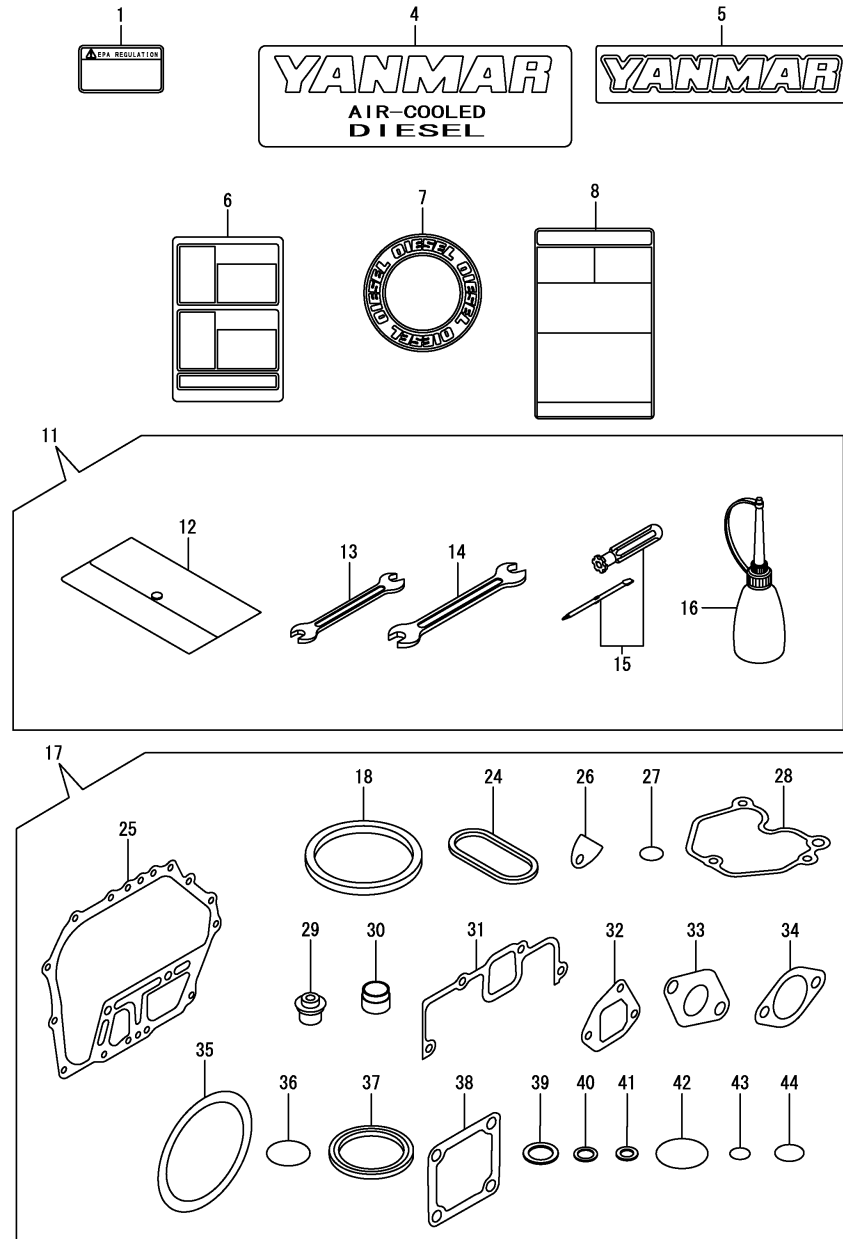
(D)=

(E)=

(F)=

REF.	LEV.	PARTS NO.	DESCRIPTION	QTY						I	R
				(A)	(B)	(C)	(D)	(E)	(F)		
1	1	114362-77011	STARTER	1							
2	2	114381-77110	ARMATURE	1							
3	2	X2114811000	WASHER KIT, THRUST	1							
4	2	X2114715500	STOPPER SET, PINION	1							
5	2	114381-77130	COIL ASSY, FIELD	1							
6	2	114381-77140	COVER, REAR	1							
7	2	114371-77160	HOLDER ASSY, BRUSH	1							
8	3	114371-79040	BRUSH (-)	2							
9	3	114371-79050	BRUSH (+)	1							
10	3	114371-79060	SPRING, BRUSH	4							
11	2	X211485016	PINION ASSY	1							
12	2	114381-77151	HOUSING ASSY, GEAR	1							
13	2	114371-77170	COVER KIT, DUST	1							
14	2	114371-77180	SHIFT LEVER KIT	1							
15	2	124298-77020	SWITCH, MAGNET	1							
16	2	124195-77770	THROUGH BOLT	2							
17	2	114371-79070	BOLT M 6X 37	2							
18	2	X2114274200	COVER, TERMINAL	1							
19	1	26106-100302	BOLT M10X 30 PLATED	2							
20	1	26716-080002	NUT M 8	1							
21	1	114399-78280	DINAMO ASSY, 15A	1							
22	2	114399-78770	STATOR ASSY	1							
23	2	114399-78780	WHEEL, DYNAMO	1							
24	1	160710-78710	CLAMP, CORD	1							
25	1	26106-060122	BOLT M 6X 12 PLATED	1							
26	1	26106-060202	BOLT M 6X 20 PLATED	3							
27	1	26577-060142	SCREW M 6X 14	3							
28	1	114399-77560	REG. & HARNESS ASSY	1							
29	2	114399-77410	BRACKET, HARNESS	1							
30	2	114399-77720	FUSE (20A),CARTRIDGE	1							
31	3	114399-78000	FUSE(20A)	1							
32	2	26023-040102	SCREW, M4X10	2							
33	1	26106-060122	BOLT M 6X 12 PLATED	2							
34	1	26106-060202	BOLT M 6X 20 PLATED	2							
35	1	114351-77500	PANEL ASSY,KEYSWITCH	1							
36	2	105198-07120	LABEL, START SWITCH	1							
37	2	114351-77520	JOINT	1							
39	2	106100-77620	SWITCH, KEY	1							
40	3	106100-77630	KEY, STARTER	1							
41	2	114351-77700	HARNESS, WIRE	1							
42	3	29220-083200	BULB (12V/3.4W)	1							

Fig.10. TOOL,LABEL & GASKET SET



Remarks  
(1)Optional parts.

(A)=L100V6-PEMA2

(B)=

(C)=

(D)=

(E)=

(F)=

REF.	LEV.	PARTS NO.	DESCRIPTION	QTY						I	R
				(A)	(B)	(C)	(D)	(E)	(F)		
1	1	114110-07761	LABEL, FUEL OIL CAUT	1							
4	1	114299-07100	LABEL, AIR COOLED	1							
5	1	114299-07110	LABEL, YANMAR	1							
6	1	114210-07120	LABEL, CAUTION	1							
7	1	114299-07160	LABEL, DIESEL	1							
8	1	114210-07130	LABEL HOW TO START-E	1							
11	1	114299-92590	TOOL ASSY	1							
12	2	114299-92600	TOOL BAG	1							
13	2	114299-92710	WRENCH	1							
14	2	114299-92720	WRENCH	1							
15	2	114299-92730	DRIVER	1							
16	2	114299-92740	FITTING, FUEL	1							
17	1	114320-92600	GASKET SET	1							1
18	2	114695-01331	GASKET ASSY,CYL.HEAD	1							
24	2	114699-01380	O-RING	1							
25	2	114699-01410	GASKET, CRANK CASE	1							
26	2	114250-01841	GASKET, COVER	1							
27	2	114299-01950	O-RING	2							
28	2	114310-11310	GASKET, BONNET	1							
29	2	114650-11340	SEAL, VALVE STEM	2							
30	2	114771-11461	GASKET, NOZZLE	1							
31	2	114310-12210	GASKET, AIR CLEANER	1							
32	2	114699-12210	GASKET, CLEANER	2							
33	2	114310-13200	GASKET, MUFFLER	1							
34	2	183671-13211	GASKET, PIPE	1							
35	2	114399-21980	GASKET	1							
36	2	114299-32570	O-RING, COVER	1							
37	2	160393-55050	GASKET, TANK CAP	4							
38	2	129100-77510	GASKET, AIR HEATER	3							
39	2	22190-160002	WASHER, 16	2							
40	2	23414-080000	GASKET 8, ROUND	1							
41	2	23414-120000	GASKET 12, ROUND	1							
42	2	24311-000400	O-RING 1A P-40.0	1							
43	2	24341-000150	O-RING 1A S-15.0	2							
44	2	24341-000224	O-RING 1A S-22.4	1							

## Part Number Index

All parts are stipulated in the order of part numbers.

(Depending on the area in which the part is used.)

This index will display the location of the part according to each part number.

## PARTS No. INDEX

PARTS No.	Fig.	Ref.No.
104211-11370	2	26
105198-07120	9	36
106100-77620	9	39
106100-77630	9	40
114110-07761	10	1
114210-03590	2	38
114210-07120	10	6
114210-07130	10	8
114210-07200	6	2
114210-11901	2	30
114210-12500	3	8
114210-12560	3	12
114210-12590	3	13
114210-12600	3	16
114210-12610	3	11
114210-14300	4	7
114210-55210	8	12
114210-55810	8	16
114210-61290	5	17
114210-66060	5	45
114210-66100	5	49
114240-11450	2	27
114240-11550	2	28
114240-55300	8	14
114250-01841	1	25
	10	26
114250-11240	2	19
		23
114250-53080	7	33
114250-53120	7	34
114250-53130	7	35
114250-53140	7	48
114250-53210	7	52
114250-53400	7	36
114250-55121	8	10
114250-55130	8	11
114250-55201	8	7
114295-61810	5	58
114295-61940	5	60
114295-61960	5	70
114295-61990	5	68
114295-66690	5	64
114299-01600	1	12
114299-01690	1	39
114299-01800	1	13
114299-01830	1	24
114299-01950	1	42
	10	27
114299-02030	1	44
114299-03640	2	41

PARTS No.	Fig.	Ref.No.
114299-07100	10	4
114299-07110	10	5
114299-07160	10	7
114299-12300	3	2
114299-32070	5	7
114299-32570	5	8
	10	36
114299-35110	5	11
114299-35150	1	37
114299-45220	6	13
114299-45301	6	18
114299-45310	6	19
114299-45350	6	21
114299-55040	8	5
114299-55080	8	8
114299-55100	8	6
114299-61190	5	15
114299-61600	5	42
114299-66200	5	62
114299-66250	5	55
114299-66440	5	50
114299-67080	5	51
114299-92590	10	11
114299-92600	10	12
114299-92710	10	13
114299-92720	10	14
114299-92730	10	15
114299-92740	10	16
114310-01200	2	1
114310-01210	2	2
114310-01450	1	32
114310-11050	2	3
114310-11120	2	10
114310-11180	2	11
114310-11290	2	32
114310-11310	2	35
	10	28
114310-11930	2	12
114310-11950	2	36
114310-12010	3	4
114310-12210	3	1
	10	31
114310-12511	3	3
114310-13200	3	19
	10	33
114310-14200	4	6
114310-14400	4	12
114310-22500	4	37
114310-45350	6	11
114310-45360	6	12

PARTS No.	Fig.	Ref.No.
114310-55230	8	13
114310-59060	8	26
114310-59310	8	28
114310-59800	8	30
114310-61500	5	22
114310-66010	5	61
11431C-01010	1	1
11431C-11100	2	8
11431C-11110	2	9
11431C-11250	2	14
11431C-11260	2	15
11431C-11650	2	17
11431C-11660	2	21
11431C-13550	3	20
11431C-13560	3	21
11431C-13700	3	22
11431C-13710	3	23
11431C-13720	3	24
11431C-21850	4	13
11431C-45100	6	17
11431C-45200	6	1
11431C-45260	6	7
11431C-45270	6	8
11431C-45300	6	4
11431C-45310	6	5
11431C-55730	8	1
114320-92600	10	17
114339-53100	7	28
114339-55150	8	3
114339-59300	8	24
114349-53000	7	49
114350-45340	6	6
114351-77500	9	35
114351-77520	9	37
114351-77700	9	41
114362-77011	9	1
114371-77160	9	7
114371-77170	9	13
114371-77180	9	14
114371-79040	9	8
114371-79050	9	9
114371-79060	9	10
114371-79070	9	17
114381-77110	9	2
114381-77130	9	5
114381-77140	9	6
114381-77151	9	12
114399-21980	10	35
114399-45320	6	9
114399-45340	6	10

PARTS No.	Fig.	Ref.No.
114399-76540	6	28
114399-76620	6	31
114399-77410	9	29
114399-77560	9	28
114399-77720	9	30
114399-78000	9	31
114399-78280	9	21
114399-78770	9	22
114399-78780	9	23
114650-02100	1	35
114650-02150	1	45
114650-02200	1	51
114650-02210	1	52
114650-11340	2	25
	10	29
114650-32010	5	1
114695-01331	1	5
	10	18
114699-01380	1	11
	10	24
114699-01410	1	31
	10	25
114699-01760	1	40
114699-11600	2	29
114699-12210	10	32
114699-13800	3	28
114699-21220	4	21
114699-21550	4	22
114699-21600	4	23
114699-21630	4	26
114699-22300	4	36
114699-45331	6	20
114699-59850	8	36
114699-76251	6	23
114699-76510	6	24
114699-76521	6	25
114699-76531	6	27
114699-76551	6	29
114699-76560	6	30
114699-76592	6	37
114699-76630	6	32
114699-76650	6	33
114699-76660	6	34
114699-76670	6	35
114699-76680	6	36
114770-61520	5	41
114770-61610	5	43
114771-11461	10	30
114771-61830	5	59
114771-66600	5	63



## PARTS No. INDEX

PARTS No.	Fig.	Ref.No.
114780-59010	8	21
114780-59060	8	22
114780-61090	5	65
119810-23200	4	42
121750-59890	8	29
124060-23100	4	41
124066-59100	8	27
124195-77770	9	16
124298-77020	9	15
124722-59050	8	25
129100-77510	10	38
160393-55050	10	37
160710-78710	9	24
160725-78350	5	52
183671-13211	10	34
183720-55210	6	3
714210-61701	5	16
714210-66100	5	44
714310-22500	4	30
714310-22540	4	53
714310-22550	4	59
714310-22580	4	57
714310-22620	4	51
714310-22720	4	28
714310-28510	4	45
71431C-23010	4	38
714320-14580	4	1
714349-51400	7	1
714349-53100	7	27
714650-23600	4	43
714650-23610	4	63
714650-23620	4	65
X2114274200	9	18
X2114715500	9	4
X2114811000	9	3
X211485016	9	11

PARTS No.	Fig.	Ref.No.
-----------	------	---------

PARTS No.	Fig.	Ref.No.
-----------	------	---------

PARTS No.	Fig.	Ref.No.
-----------	------	---------



***YANMAR CO.,LTD.***